



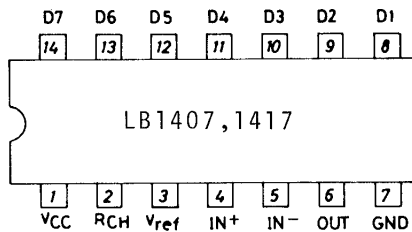
LB1407, 1417

AC/DC Voltage Level Meter

Features and Functions

- The LB1407 and LB1417 are based on dB scale and linear scale respectively.
- The input level is indicated in the form of a bar by means of 7 red/green LEDs.
- The LED current is made variable with an external resistor.
- An input amplifier is built in.
- A wide range of supply voltages is available from 5.5V to 16V.

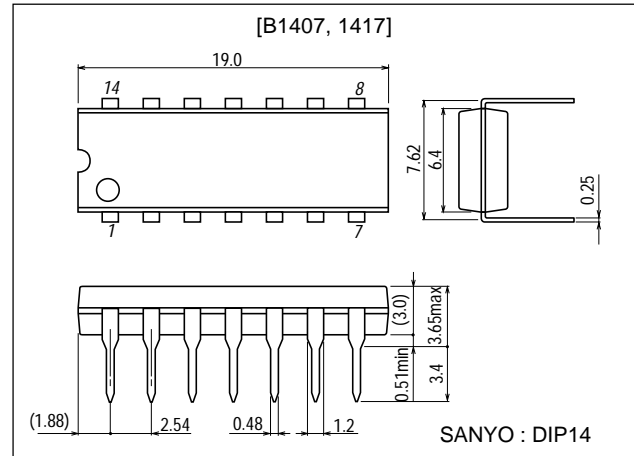
Pin Assignment



Package Dimensions

unit:mm

3003B-DIP14



Comparator Level at Ta = 25°C, V_{CC}=12V

[LB1407]

Comparator level	Pin No.	dB scale	typ	unit
D1	8	-20	150	mV
D2	9	-10	485	mV
D3	10	-6	770	mV
D4	11	-3	1090	mV
D5	12	0	1530	mV
D6	13	3	2150	mV
D7	14	6	3000	mV

(Reference : Linear scale)

[LB1417]

Comparator level	Pin No.	Linear scale	typ	unit
D1	8	430	-14.0	dB
D2	9	840	-8.0	dB
D3	10	1280	-4.4	dB
D4	11	1700	-1.9	dB
D5	12	2150	0	dB
D6	13	2570	1.6	dB
D7	14	3000	2.9	dB

(Reference : dB scale)

■ Any and all SANYO products described or contained herein do not have specifications that can handle applications that require extremely high levels of reliability, such as life-support systems, aircraft's control systems, or other applications whose failure can be reasonably expected to result in serious physical and/or material damage. Consult with your SANYO representative nearest you before using any SANYO products described or contained herein in such applications.

■ SANYO assumes no responsibility for equipment failures that result from using products at values that exceed, even momentarily, rated values (such as maximum ratings, operating condition ranges, or other parameters) listed in products specifications of any and all SANYO products described or contained herein.

SANYO Electric Co., Ltd. Semiconductor Company

TOKYO OFFICE Tokyo Bldg., 1-10, 1 Chome, Ueno, Taito-ku, TOKYO, 110-8534 JAPAN

LB1407, 1417

Specifications

Absolute Maximum Ratings at $T_a = 25^\circ\text{C}$

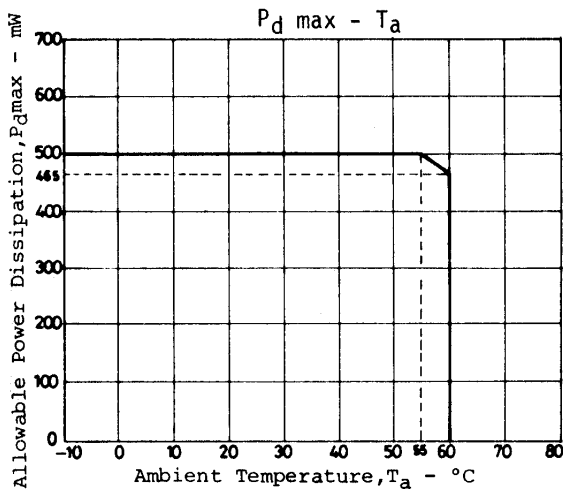
Parameter	Symbol	Conditions	Ratings	Unit
Maximum supply voltage	$V_{CC\text{ max}}$	Pin 1	-0.3 to +18	V
Input voltage	V_{IN}	Pin 4, 5	-0.3 to $+V_{CC}$	V
D ₁ to D ₇ output voltage	$V_{OUT(D)}$	D ₁ to D ₇ OFF	-0.3 to +18	V
D ₁ to D ₉ output current	$I_{OL(D)}$	Pins 8 to 14, D ₁ to D ₇ ON	+30	mA
Reference flow-out current	I_{ref}	Pin 3	-1 to 0	mA
V_{OUT} supply voltage	V_{OUT}	Pin 6	-0.3 to +6	V
Allowable power dissipation	$P_d\text{ max}$	$T_a=55^\circ\text{C}$	500	mW
Operating temperature	T_{opr}		-20 to +60	$^\circ\text{C}$
Storage temperature	T_{stg}		-40 to +125	$^\circ\text{C}$

Allowable Operating Ranges at $T_a = 25^\circ\text{C}$

Parameter	Symbol	Conditions	Ratings	Unit
Recommended supply voltage	V_{CC}	Pin 1	5.5 to 16	V
Input voltage	V_{IN^+} or V_{IN^-}	Pin 4 or 5	-0.3 to V_{CC}	V
Output pin load resistance	R_L	Between pin 6 OUT and pin 7 GND.	15k to 20k	Ω

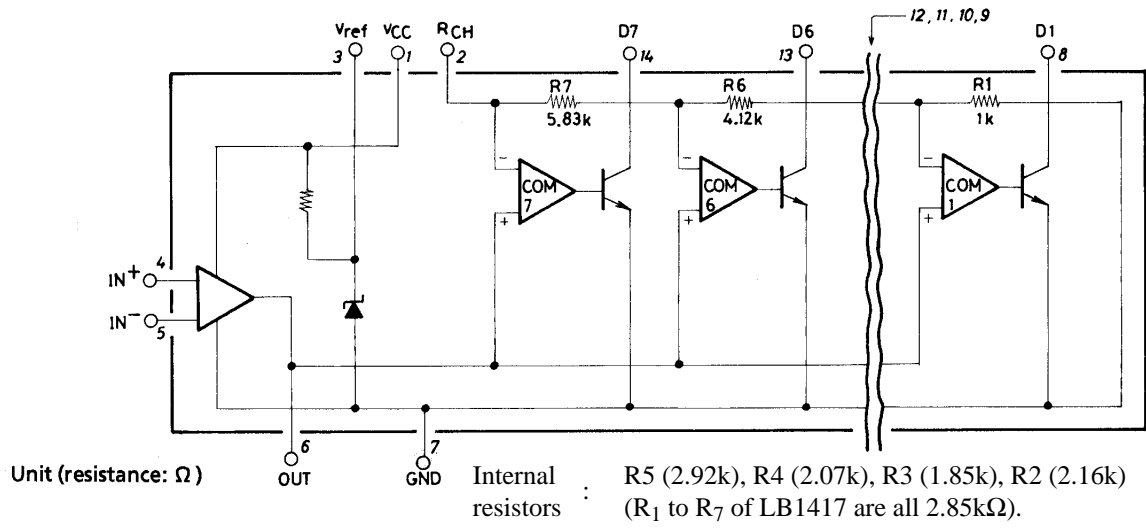
Electrical Characteristics at $T_a = 25^\circ\text{C}$, $V_{CC}=12\text{V}$ (Unless V_{CC} is otherwise specified)

Parameter	Symbol	Conditions	Ratings			Unit
			min	typ	max	
Input bias current (Amplifier)	$I_{IN^+(A)}$	Pin 4, $V_{IN^+}=0\text{V}$, $V_{IN^-}=3\text{V}$, $\text{GND}=0\text{V}$	-2		0	μA
	$I_{IN^-(A)}$	Pin 5, $V_{IN^+}=3\text{V}$, $V_{IN^-}=0\text{V}$, $\text{GND}=0\text{V}$	-2		0	μA
Input bias current (Comparator)+output leak current	$I_{IN^+(C)+I_{OL(A)}}$	Pin 6, $V_{IN^+}=0\text{V}$, $V_{IN^-}=3\text{V}$, $\text{OUT}=0\text{V}$, $\text{GND}=0\text{V}$	-10		0	μA
Offset voltage (1)	$V_{offset1}$	Pin 6, $V_{CC}=6\text{V}$, $V_{IN^+}=V_{IN^-}=0\text{V}$, $\text{GND}=-6\text{V}$, $\text{GAIN}=20\text{dB}$	-150		+150	mV
Offset voltage (2)	$V_{offset2}$	Pin 6, $V_{IN^+}=V_{IN^-}=0\text{V}$, $\text{GND}=0\text{V}$, $\text{GAIN}=20\text{dB}$	0		+150	mV
Reference voltage	V_{ref}	Pin 2, $I_{ref}=0$ to 1mA	2.7		3.1	V
Current drain	I_{CC}	Pin 1, $V_{IN^+}=3\text{V}$, $V_{IN^-}=0\text{V}$		8	15	mA
Amplifier gain	V_G	Open loop	30			dB
Output flow-out current	I_{OH}	Pin 6, $V_{IN^+}=3\text{V}$, $V_{IN^-}=0\text{V}$, $V_{OUT}=0\text{V}$			-10	mA
Pin D output ON voltage	$V_{OL(D)}$	Pin 8 to 14, D ₁ to D ₇ , $I_{OL}=20\text{mA}$, $V_{IN^+}=3\text{V}$, $V_{IN^-}=0\text{V}$			1.2	V
Pin D output leak current	$I_{OH(D)}$	Pin 8 to 14, D ₁ to D ₇ , $V_{IN^+}=0\text{V}$, $V_{IN^-}=3\text{V}$, V_{D1} to $D7=12\text{V}$			10	μA
Output voltage (Amplifier)	V_{OH}	Pin 6, $V_{CC}=5.5\text{V}$, $V_{IN^+}=3\text{V}$, $V_{IN^-}=0\text{V}$, $R_L=15\text{k}\Omega$	4			V
		Pin 6, $V_{CC}=12\text{V}$, $V_{IN^+}=3\text{V}$, $V_{IN^-}=0\text{V}$, $R_L=15\text{k}\Omega$	9.5			V

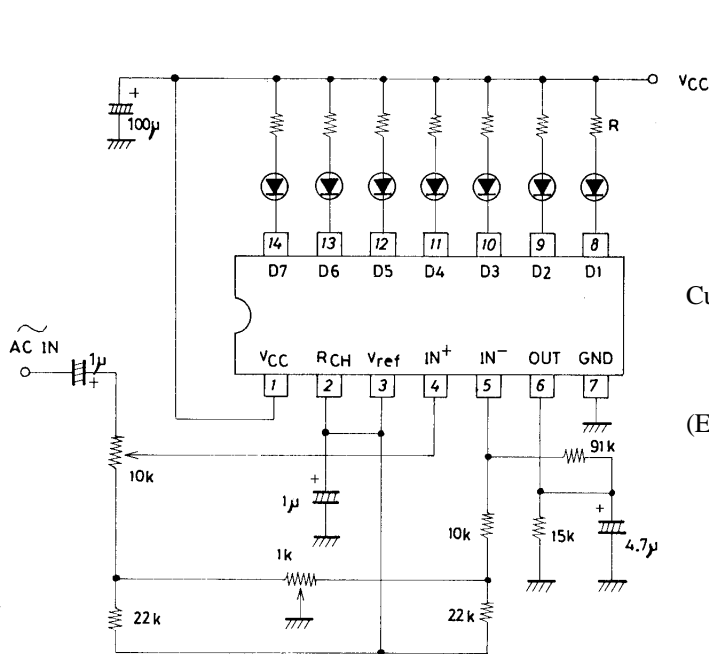


LB1407, 1417

Equivalent Circuit



Application Circuit



Current flowing to LED :

$$I_{LED} = \frac{V_{CC} - 3}{R}$$

(Example) Assuming $I_{LED} = 10\text{mA}$ at $V_{CC} = 12\text{V}$, R is :

$$R = \frac{12 - 3}{10 \times 10^{-3}} = \frac{9}{10 \times 10^{-3}} = 900\Omega$$

- Specifications of any and all SANYO products described or contained herein stipulate the performance, characteristics, and functions of the described products in the independent state, and are not guarantees of the performance, characteristics, and functions of the described products as mounted in the customer's products or equipment. To verify symptoms and states that cannot be evaluated in an independent device, the customer should always evaluate and test devices mounted in the customer's products or equipment.
- SANYO Electric Co., Ltd. strives to supply high-quality high-reliability products. However, any and all semiconductor products fail with some probability. It is possible that these probabilistic failures could give rise to accidents or events that could endanger human lives, that could give rise to smoke or fire, or that could cause damage to other property. When designing equipment, adopt safety measures so that these kinds of accidents or events cannot occur. Such measures include but are not limited to protective circuits and error prevention circuits for safe design, redundant design, and structural design.
- In the event that any or all SANYO products(including technical data, services) described or contained herein are controlled under any of applicable local export control laws and regulations, such products must not be exported without obtaining the export license from the authorities concerned in accordance with the above law.
- No part of this publication may be reproduced or transmitted in any form or by any means, electronic or mechanical, including photocopying and recording, or any information storage or retrieval system, or otherwise, without the prior written permission of SANYO Electric Co., Ltd.
- Any and all information described or contained herein are subject to change without notice due to product/technology improvement, etc. When designing equipment, refer to the "Delivery Specification" for the SANYO product that you intend to use.
- Information (including circuit diagrams and circuit parameters) herein is for example only ; it is not guaranteed for volume production. SANYO believes information herein is accurate and reliable, but no guarantees are made or implied regarding its use or any infringements of intellectual property rights or other rights of third parties.

This catalog provides information as of February, 2001. Specifications and information herein are subject to change without notice.